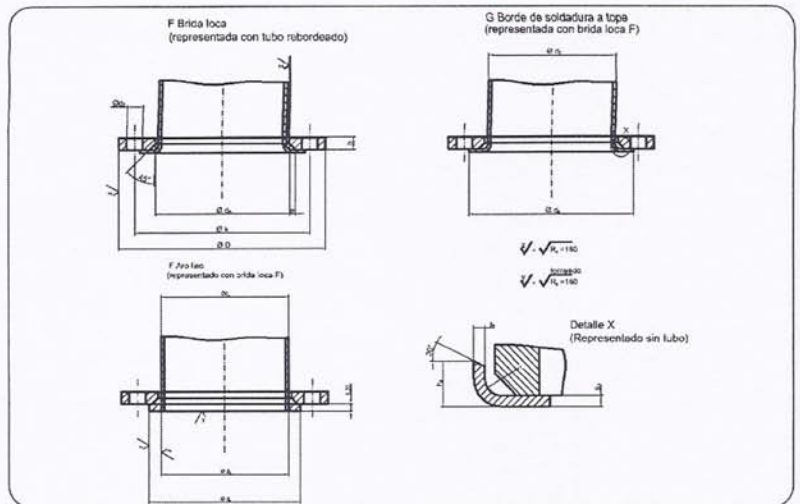




**Brida Loca DIN 2641.**

**Presión Nominal 6.**



Medidas de Acoplamiento del Tubo			Dimensiones de Brida					Tornillos			Aro y borde						Peso kg		
Paso Nominal	d <sub>1</sub>		D	d <sub>s</sub>	b	k	e	Número	Rosca	d <sub>2</sub>	d <sub>s</sub>	h <sub>s</sub>	d <sub>s</sub> máx.	h <sub>s</sub> mín.	s <sub>1</sub> mín.	s <sub>2</sub> mín.	r	brida	aro
	Serie 1	Serie 2																	
10	-	14	75	16	10	50	2	4	M10	11	14.5	8	35	9	1.8	3	2	0.298	0.051
	17.2	-		17.7															
15	-	20	80	22	10	55	2	4	M10	11	21	8	40	9	2	3	2	0.337	0.063
	21.3	-		22															
20	-	25	90	28	10	65	2	4	M10	11	26	10	50	12	2	3	2	0.418	0.116
	26.9	-		27.6															
25	-	30	100	33	12	75	3	4	M10	11	31	10	60	15	2	3	3	0.620	0.166
	33.7	-		34.4															
32	-	38	120	42	12	90	3	4	M12	14	39	10	70	15	2.6	3.5	3	0.874	0.213
	42.4	-		43.1															
40	-	44.5	130	50	12	100	3	4	M12	14	45.5	10	80	17	2.6	3.5	3	1.01	0.273
	48.3	-		49															
50	-	57	140	62	12	110	3	4	M12	14	58.1	12	90	23	2.6	3.5	3	1.12	0.359
	60.3	-		61.1															
65	76.1	-	160	81	12	130	3	4	M12	14	77.1	12	110	23	2.6	3.5	3	1.35	0.468
80	88.9	-	190	94	14	150	3	4	M16	18	90.3	14	128	23	3.2	4	3	2.24	0.730
100	-	108	210	113	14	170	3	4	M16	18	109.6	14	148	28	3.2	4	3	2.59	0.884
	114.3	-		115.9															
125	-	133	240	138	14	200	3	8	M16	18	134.8	14	178	30	3.2	4	3	3.10	1.21
	139.7	-		141.6															
150	-	159	265	164	14	225	3	8	M16	18	161.1	14	202	30	3.2	4	3	3.52	1.34
	168.3	-		170.5															
200	219.1	-	320	225	16	280	3	8	M16	18	221.8	16	258	30	3.2	4	3	4.98	2.00
250	-	267	375	273	20	335	3	12	M16	18	270.2	18	312	30	4	5	3	7.67	2.89
	273	-		276.2															
300	223.9	-	440	329	24	395	4	12	M20	22	227.6	18	365	35	4	5	4	12.3	3.56
350	355.6	-	490	362	26	445	4	12	M20	22	359.7	18	415	-	-	-	4	15.1	4.08
	-	368		372.2															
400	406.4	-	540	413	28	495	4	16	M20	22	411	20	465	-	-	-	4	17.7	4.91
	-	419		423.7															
500	508	-	645	517	32	600	4	20	M20	22	513.6	22	570	-	-	-	4	25.4	7.39
600	610	-	755	618	36	705	4	20	M24	26	616.6	22	670	-	-	-	4	36.3	8.6
700	711	-	860	721	40	810	4	24	M24	26	718.6	24	725	-	-	-	4	48.1	14.0
800	813	-	975	824	44	920	4	24	M27	30	821.5	24	880	-	-	-	4	66.5	16.8
900	914	-	1075	926	48	1020	4	24	M27	30	923.5	26	980	-	-	-	4	81.3	20.1
1000	1016	-	1175	1028	52	1120	4	28	M27	30	1026.7	26	1080	-	-	-	4	96.4	21.5
1200	1220	-	1405	1232	60	1340	5	32	M30	33	1232.7	28	1295	-	-	-	5	158	32.6